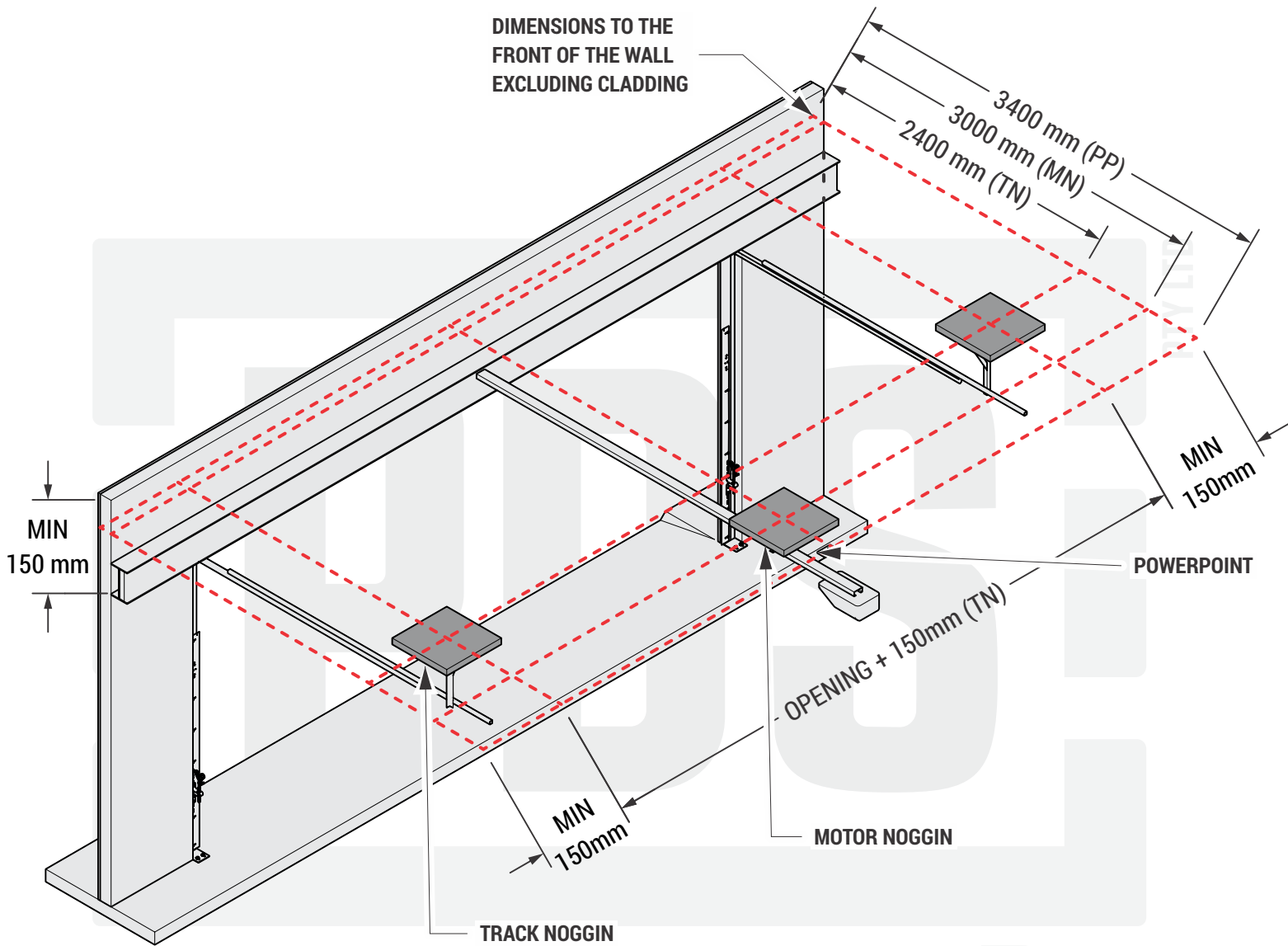
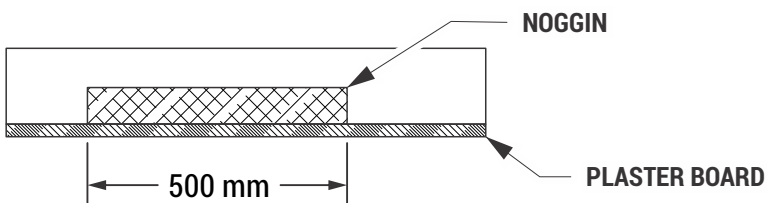


SITE PREPARATION INSTRUCTIONS

TILT DOOR - FLUSH MOUNTED



ALL NOGGINS MUST BE 500 x 500mm STRUCTURAL TIMBER THAT CAN SUPPORT MINIMUM OF 100Kg EACH
THERE MUST BE NO VOIDS BETWEEN THE NOGGIN AND THE PLASTERBOARD



CLEARANCES

- HEAD CLEARANCE: MIN 150mm
- SIDE CLEARANCE: MIN 150mm

SITE PREPARATION INSTRUCTIONS

TILT DOOR - FLUSH MOUNTED

SENSOR WIRING INSTALLATION

SENSOR WIRING ONLY REQUIRED IF SAFETY BEAM SENSORS ARE TO BE INSTALLED

LOW VOLTAGE
TWIN CABLE

